

From Off-The-Shelf to Market-Ready© New Age Enclosures is your Single Source Solution.  
Let us quote modifying our Stock Enclosures to meet your end-use.  
visit [newageenclosures.com/services](http://newageenclosures.com/services) or call 855-4NA-ENCL today.

**CNC CUTOUTS**  
**PART DECORATING**  
**CUSTOM COLOR AND MATERIAL**  
**RF/EMI SHIELDING**  
**CUSTOM TOOL INSERTS**  
**CUSTOM ENCLOSURES AND DESIGN**



**NEW AGE**  
**ENCLOSURES**

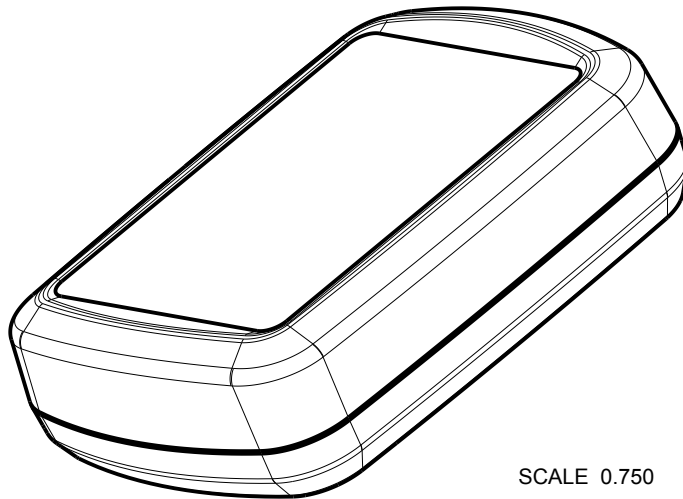
DEVELOP THE FUTURE



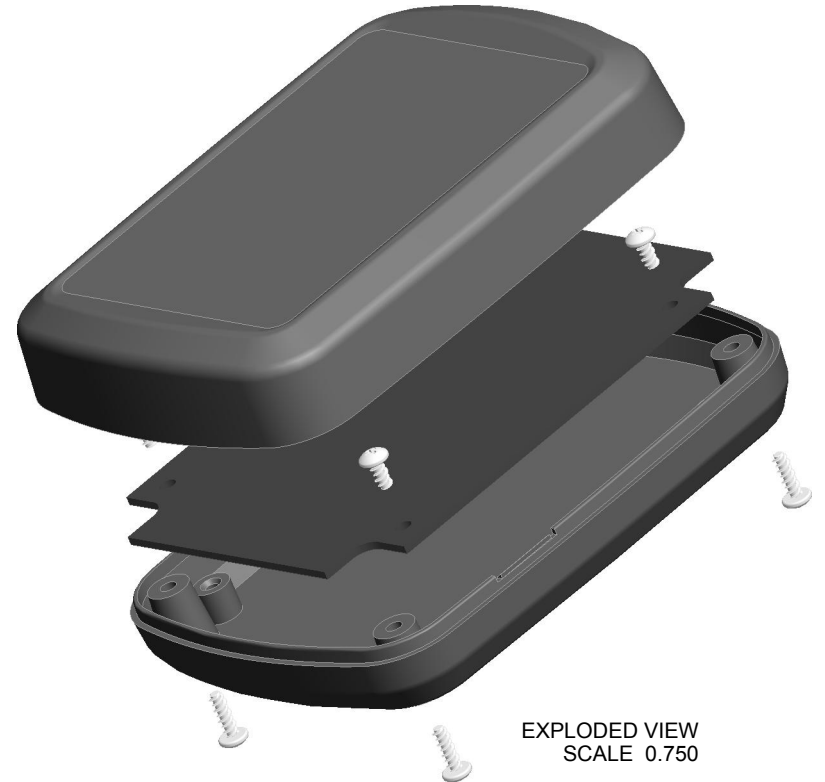
NOTES: UNLESS OTHERWISE SPECIFIED

- CORNERS DRAWN SHARP TO BE R.005 MAXIMUM.
- EXTERIOR SURFACE TEXTURE TO BE LIGHT EDM FINISH. EQUIVELANT TO MT-11020.
- INTERIOR SURFACE TEXTURE TO BE: NONE.
- ALL INSIDE RADII .010R. UNLESS OTHERWISE SPECIFIED.
- ALL EXTERNAL DIMENSIONS AFFECTED BY THE DRAFT APPLY AT THE LARGE END OF THE FEATURE, AND ALL INTERNAL FEATURES AFFECTED BY THE DRAFT APPLY AT THE SMALL END OF THE FEATURE UNLESS OTHERWISE SPECIFIED.
- 1 DEGREE DRAFT IN THE DIRECTION OF PULL IS PERMISSIBLE UNLESS OTHERWISE SPECIFIED.
- ASSEMBLY SCREWS FOR THE ENCLOSURE INCLUDED. MOUNTING SCREWS FOR THE PCB ARE SOLD SEPERATELY.
- MATERIAL / COLOR: ABS PLASTIC IS STANDARD IN BLACK OR WHITE. CUSTOM MATERIALS AND COLORS ARE AVAILABLE UPON REQUEST FOR QUOTE.
- PCB SIZES ARE RECOMMENDATIONS ONLY. FINAL SIZES AND VERIFICATION OF ITS FIT ARE THE SOLE RESPONSIBILITY OF OEM.
- STANDARD OR CUSTOM LABEL RECESSES ARE AVAILABLE UPON REQUEST FOR QUOTE.

R E V I S I O N					
REV.	DRAWN BY	ECO No	DESCRIPTION	DATE	APPROVE
1	M BOYER		PRELIMINARY RELEASE	2005-Aug-24	D.C.
2	M BOYER	0208	UPDATE FORMAT AND RELEASE	2008-May-15	D.C.
3	M BOYER	0610	FORMAT AND PCB SIZE	2010-Feb-23	D.C.
3.1	M BOYER	0710	FORMAT	2010-Mar-26	D.C.
4.0	M BOYER	00920	DIR TO VERIFY MODEL	2020-Apr-02	D.C.
5.0	M BOYER	01420	UPDATE TO AS BUILT AFTER RE-TOOL	2020-Jul-13	



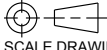
SCALE 0.750

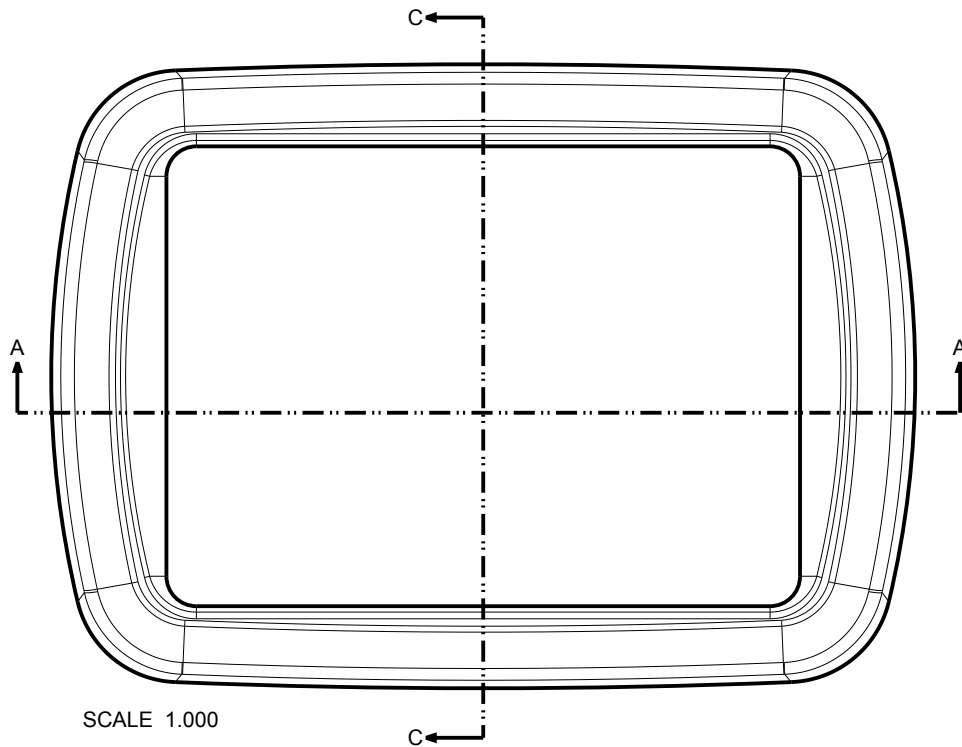


EXPLODED VIEW  
SCALE 0.750

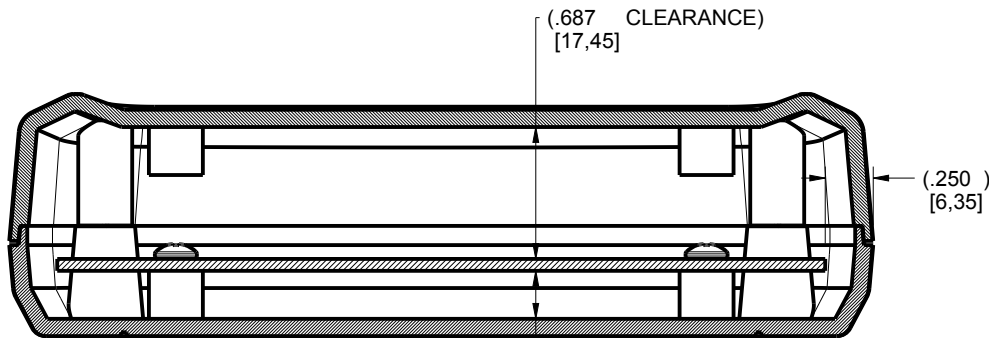
5	SCREW_HILO-N04X375	#4 HiLo x 375" SCREW	ZINC PLATED	MMC 90056A105	4
4	SCREW_HILO-N04X250	#4 HiLo x .250" SCREW	CUSTOMER SUPPLIED	MMC 90056A105	4
3	453212_COVER	453212 COVER - STANDARD	ABS	BLACK or WHITE	1
2	453212_BASE	453212 BASE - STANDARD	ABS	BLACK or WHITE	1
1	453212_PCB	453212 PCB - REFERENCE	CUSTOMER SUPPLIED	.062" THICK	1
ITEM	FILE NAME	DESCRIPTION	MATERIAL	COLOR	QTY.

BILL OF MATERIALS

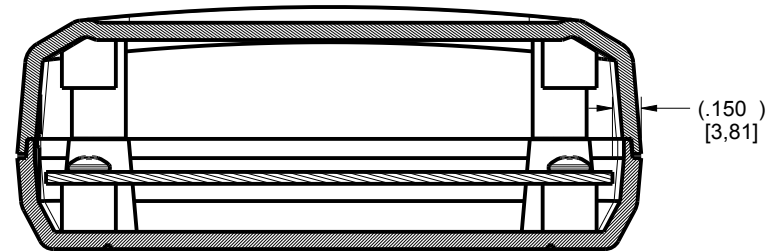
THIRD ANGLE PROJECTION  DO NOT SCALE DRAWING	TOLERANCES: UNLESS OTHERWISE SPECIFIED DIMENSIONS ARE IN U.S. INCHES. X.XX = .015 X.XXXX = .001 X.XXX = .010 X.X" = 1°		<b>NEW AGE ENCLOSURES</b> 2240 South Thornburg Street Santa Maria, CA. 93455 ph. (855) 462-3625 fax (805) 595-1024 <a href="http://www.newageenclosures.com">www.newageenclosures.com</a>			
	Customer's Part No: 453212					
APPROVAL	BY	DATE	<b>STANDARD LARGE UTILITY</b> <b>SXX-453212-XXX</b>			
CHECK						
ENG.						
SCALE	AS NOTED					
DRAWN BY	M BOYER	2005-Aug-24	SIZE	DRAWING NAME	SHEET	REV.DOC
			A	453212_R5_0	1 OF 6	5.0



SCALE 1.000



SECTION A-A



SECTION C-C

TOLERANCES: UNLESS OTHERWISE SPECIFIED  
DIMENSIONS ARE IN U.S. INCHES.  
X.XX = .015 X.XXXX = .001  
X.XXX = .010 X.X° = 1°

NEW AGE ENCLOSURES  
Customer's Part No: 453212

APPROVAL	BY	DATE
CHECK		
ENG.		
SCALE	AS NOTED	

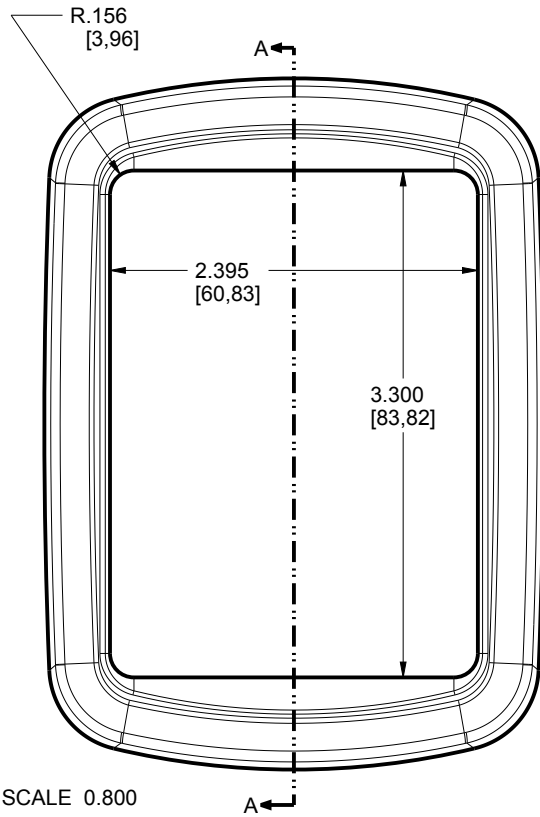
DRAWN BY	2005-Aug-24
M BOYER	

**NEW AGE ENCLOSURES**  
2240 South Thornburg Street Santa Maria, CA. 93455  
ph. (855) 462-3625 fax (805) 595-1024  
www.newageenclosures.com

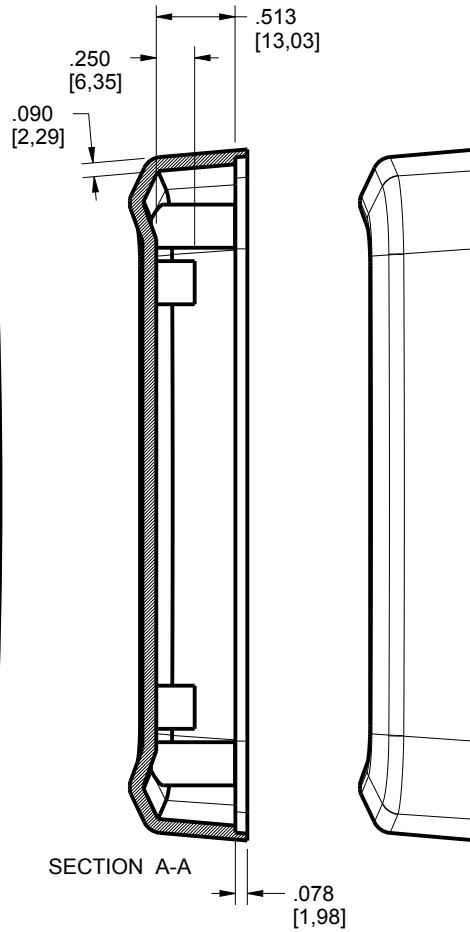
**STANDARD LARGE UTILITY  
SXX-453212-XXX**

SIZE	DRAWING NAME	SHEET	REV.DOC
A	453212_R5_0	2 OF 6	5.0

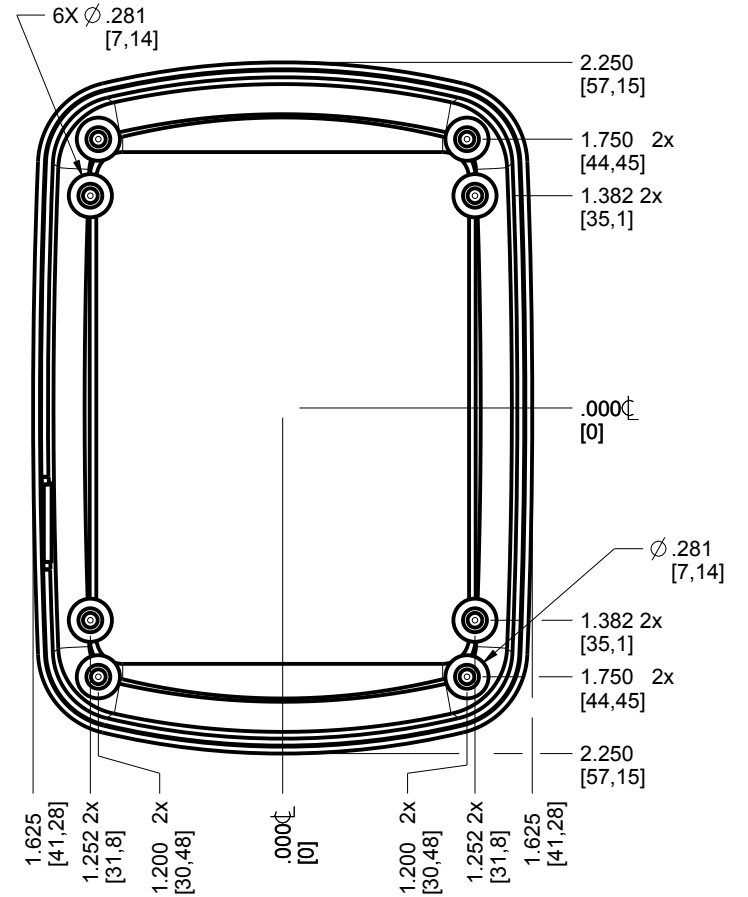
# 453212 COVER



SCALE 0.800



SECTION A-A



1.625 [41,28]  
1.252 2X [31,8]  
1.200 2X [30,48]

1.200 2X [30,48]  
1.252 2X [31,8]  
1.625 [41,28]

TOLERANCES: UNLESS OTHERWISE SPECIFIED  
DIMENSIONS ARE IN U.S. INCHES.  
X.XX = .015 X.XXXX = .001  
X.XXX = .010 X.X° = 1°

NEW AGE ENCLOSURES  
Customer's Part No: 453212

APPROVAL BY DATE  
CHECK  
ENG.  
SCALE AS NOTED

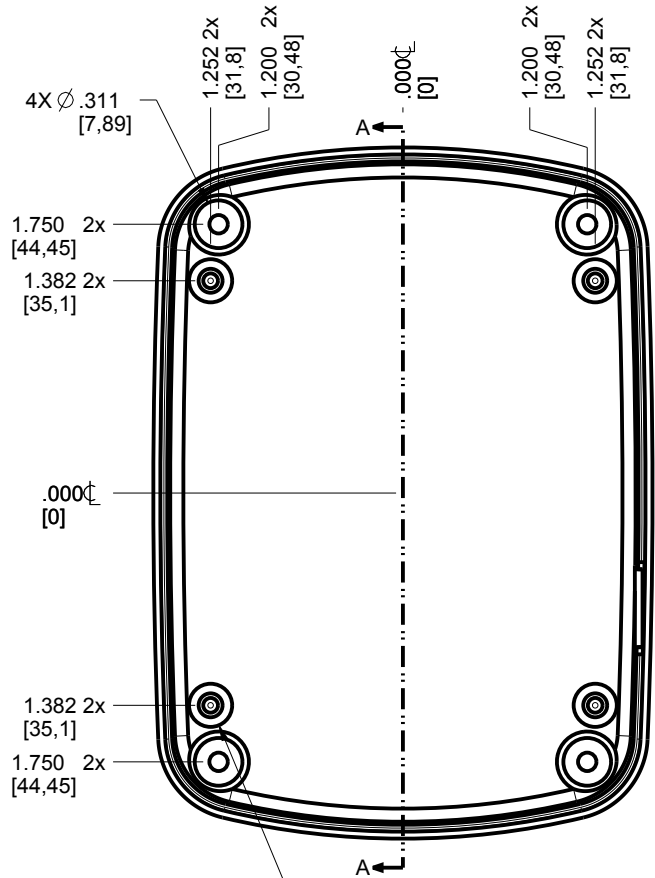
DRAWN BY M BOYER 2005-Aug-24

**NEW AGE ENCLOSURES**  
2240 South Thornburg Street Santa Maria, CA. 93455  
ph. (855) 462-3625 fax (805) 595-1024  
www.newageenclosures.com

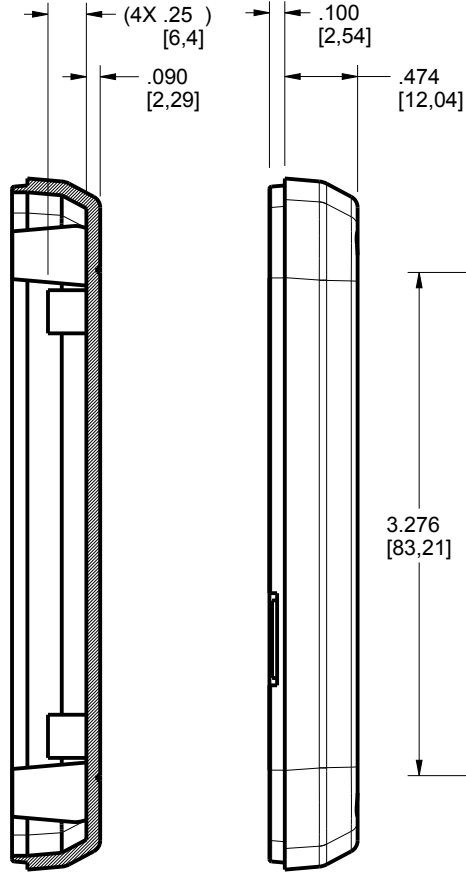
STANDARD LARGE UTILITY  
SXX-453212-XXX

SIZE A DRAWING NAME 453212\_R5\_0 SHEET 3 OF 6 REV.DOC 5.0

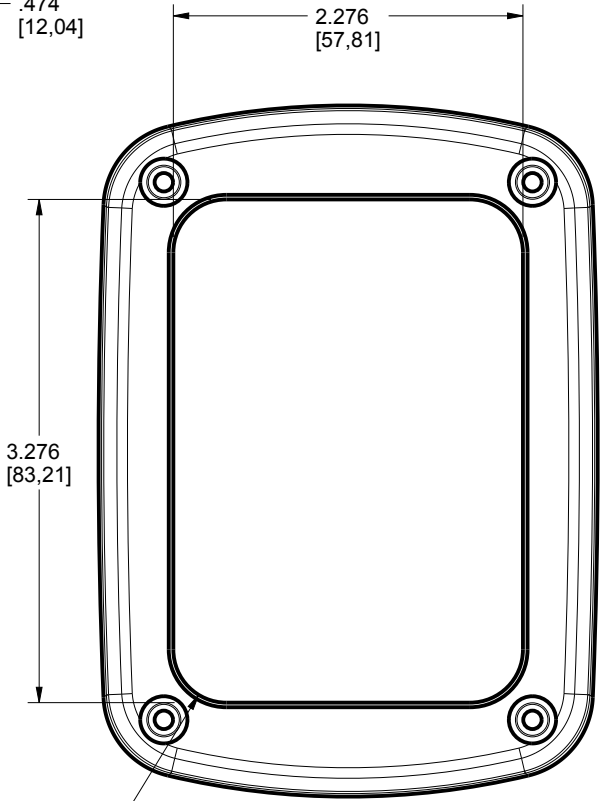
453212 BASE



4X Ø .281 [7,14]  
 PCB MOUNTING POSTS  
 USE #4 X .375  
 HILO SCREW



SECTION A-A



SCALE 0.800

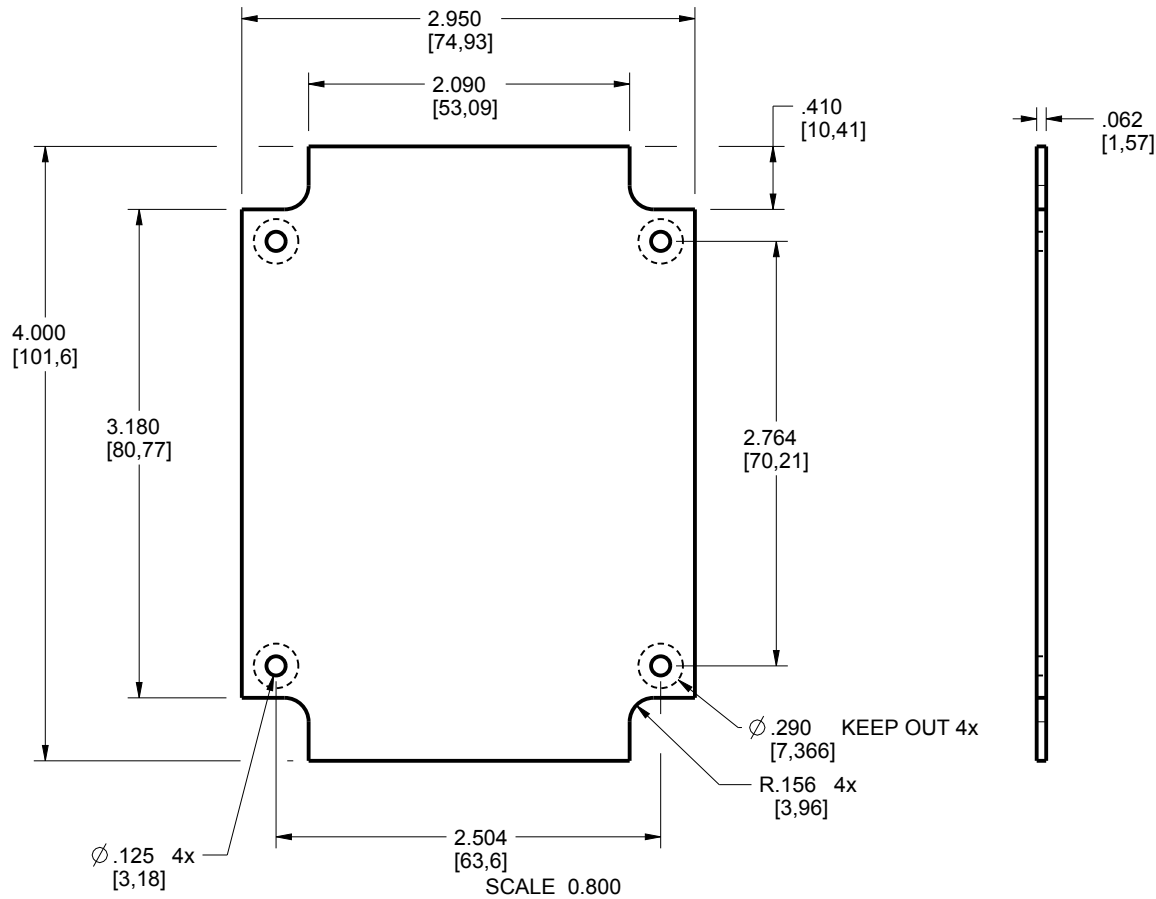
TOLERANCES - UNLESS OTHERWISE SPECIFIED DIMENSIONS ARE IN U.S. INCHES. X.XX = .015 X.XXXX = .001 X.XXX = .010 X.X° = 1°		<b>NEW AGE ENCLOSURES</b>	
NEW AGE ENCLOSURES		2240 South Thornburg Street Santa Maria, CA. 93455 ph. (855) 462-3625 fax (805) 595-1024 www.newageenclosures.com	
Customer's Part No: 453212			
APPROVAL	BY	DATE	
CHECK			
ENG.			
SCALE	AS NOTED		
DRAWN BY	2005-Aug-24	SIZE	DRAWING NAME
M BOYER		A	453212_R5_0
		SHEET	REV.DOC
		4 OF 6	5.0

**NEW AGE ENCLOSURES**

**STANDARD LARGE UTILITY  
SXX-453212-XXX**

# 453212 PCB

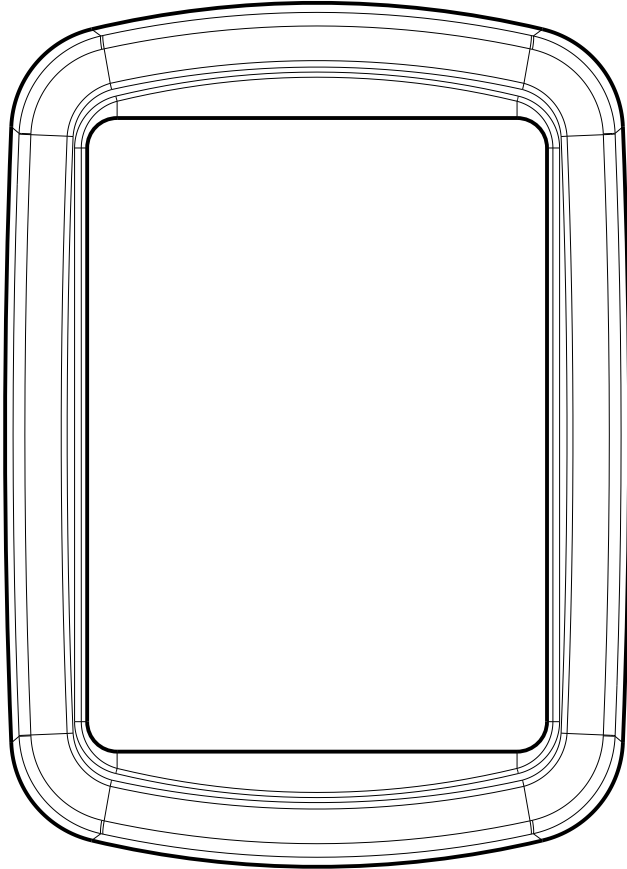
PCB SIZES ARE RECOMMENDATIONS ONLY. FINAL SIZES AND VERIFICATION OF IT'S FIT ARE THE SOLE RESPONSIBILITY OF EACH OWNER.



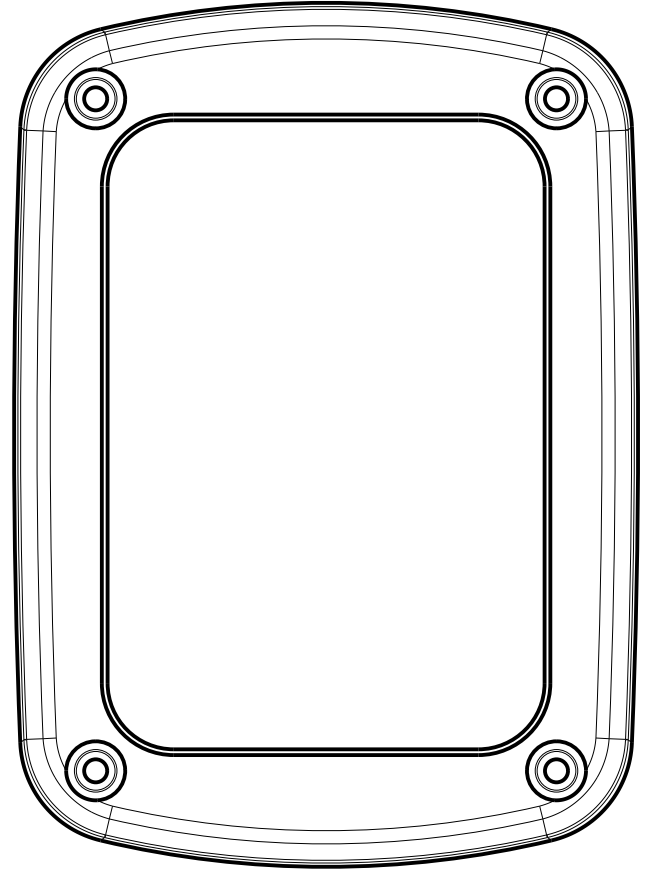
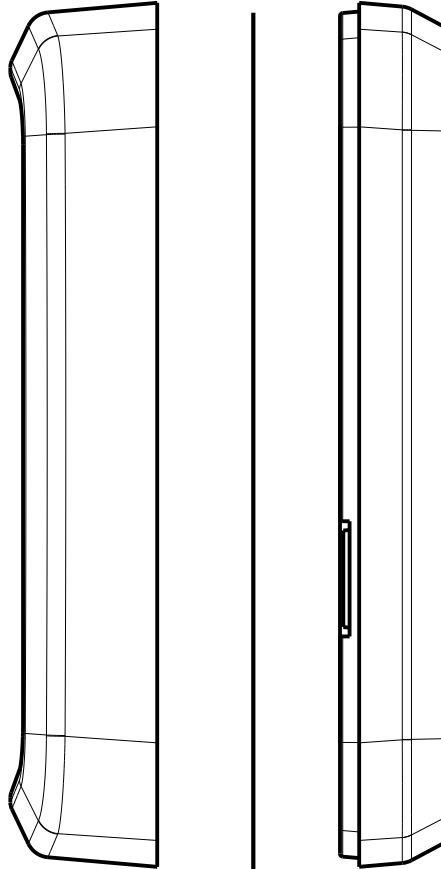
TOLERANCES: UNLESS OTHERWISE SPECIFIED DIMENSIONS ARE IN U.S. INCHES.		<b>NEW AGE ENCLOSURES</b>	
X.XX = .015 X.XXXX = .001 X.XXX = .010 X.X° = 1°		2240 South Thornburg Street Santa Maria, CA. 93455 ph. (855) 462-3625 fax (805) 595-1024 www.newageenclosures.com	
NEW AGE ENCLOSURES		Customer's Part No: 453212	
APPROVAL	BY	DATE	
CHECK			
ENG.			
SCALE	AS NOTED		
DRAWN BY	SIZE	DRAWING NAME	SHEET
M BOYER	2005-Aug-24	A 453212_R5_0	5 OF 6
			REV.DOC
			5.0

## 2nd OPERATION DETAILS

NEW AGE ENCLOSURES DELIVERS YOUR ENCLOSURE MARKET-READY WITH IN-HOUSE  
CNC MACHINING, PAD PRINTING, ASSEMBLY, AND FULFILLEMENT.  
ALL SURFACES AND AREAS ARE AVAILABLE FOR CNC ALTERATION BY NEW AGE ENCLOSURES  
CALL (855) 462-3625 FOR PRICING AND SCHEDULE.  
THE INSIDE RADIUS OF ANY MACHINED FEATURES SHOULD BE NO SMALLER THAN .031"



453212 COVER  
SCALE 1.000



453212 BASE  
SCALE 1.000

### SXX-453212-XXX COVER - ABS, BLACK

STEP NO	DESCRIPTION	CUTTER	FIXTURE	ORIENTATION	PROGRAM
1-C-C1		T2 = .062" EM	262		oXXXX
2-C-C2		T2 = .062" EM	262		oXXXX

TOLERANCES: UNLESS OTHERWISE SPECIFIED  
DIMENSIONS ARE IN U.S. INCHES.  
X.XX = .015 X.XXXX = .001  
X.XXX = .010 X.X° = 1°

**NEW AGE ENCLOSURES**

Customer's Part No: 453212

APPROVAL	BY	DATE
CHECK		
ENG.		
SCALE	AS NOTED	
DRAWN BY		
M BOYER	2005-Aug-24	

**NEW AGE ENCLOSURES**

2240 South Thornburg Street Santa Maria, CA. 93455  
ph. (855) 462-3625 fax (805) 595-1024  
[www.newageenclosures.com](http://www.newageenclosures.com)

**STANDARD LARGE UTILITY  
SXX-453212-XXX**

SIZE	DRAWING NAME	SHEET	REV.DOC
A	453212_R5_0	6 OF 6	5.0